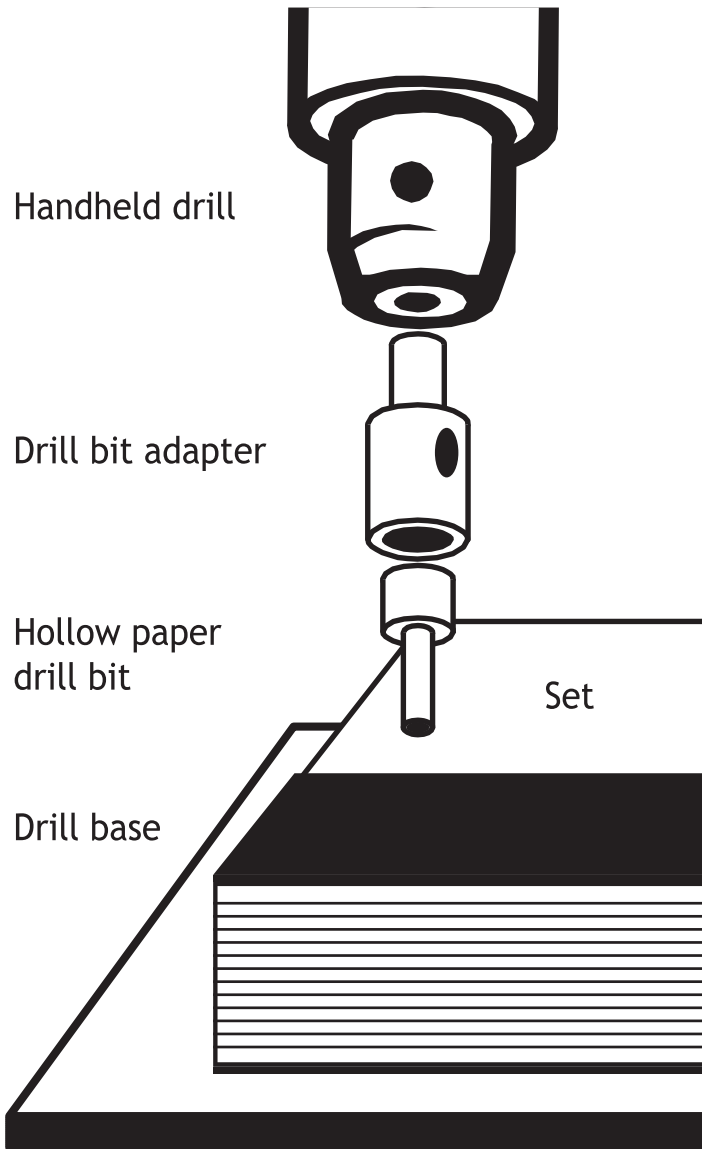




The Peep Squirrel™ Post Binder Drilling Instructions



Tools & Supplies

- a pair of post binders (front and back)
- plastic posts and caps (or your own metal screw posts)
- hollow paper drill bit
- drill bit adapter
- drill
- rubber mallet
- a drill base to protect your work surface (a piece of plywood or MDF)

Procedure

1. Arrange the set between the binders in a neat stack with the binding edge on the drill base.
2. Drill all the way through the stack of binders and paper with the drill while holding the set in place with your hand or a clamp. It is helpful to rub the bit with a wax crayon to lubricate it before drilling.
3. Insert the posts through the holes and tap the caps into the posts with the mallet. It is not necessary to screw the plastic caps into the posts.
4. Immediately after drilling through the binders, drill through a spare stack of paper. This will force out the soft plastic circles before they harden and jam inside the bit.

Cylix also offers post binders *pre-drilled* for your convenience.